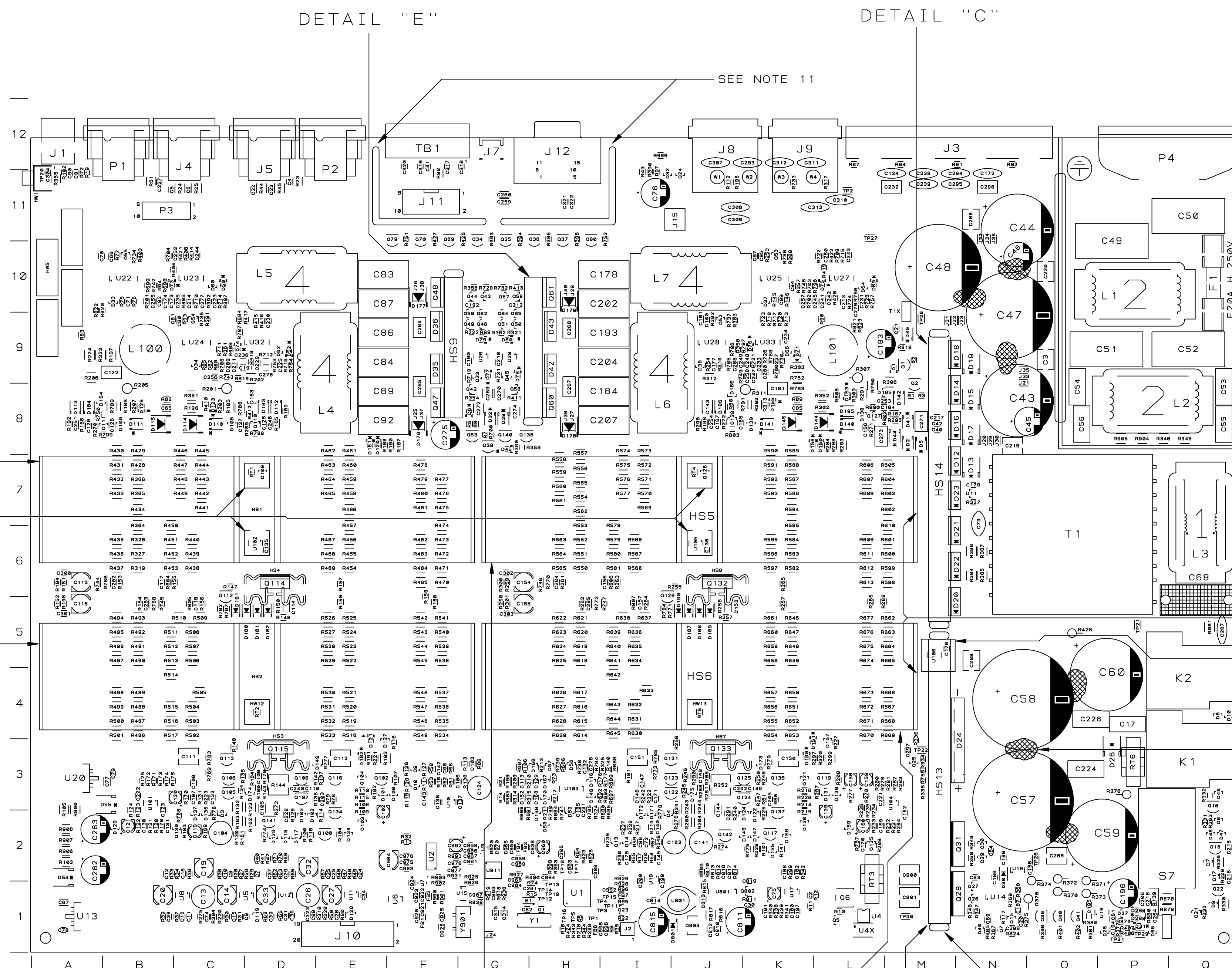


REVISION HISTORY				DATE	APPROVED
E. C. N.	ZONE	REV	DESCRIPTION		DWN CM PE
		A	SEE 138349-12_A.XLS FOR DATA AND REVISION HISTORY.	04-18-07	KLW KZ BLC

COMPONENT MAP
TOP SIDE



DETAIL "E"

DETAIL "C"

SEE NOTE 11

DETAIL "B"

DETAIL "G"

DETAIL "A"

SEE NOTE 12

DETAIL "F"

HOT MELT GLUE
6 PLACES
SHOWN FOR REFERENCE ONLY

SEE NOTES 7 & 8
(TYP. 6 PLACES)

DETAIL "B"

DETAIL "D"

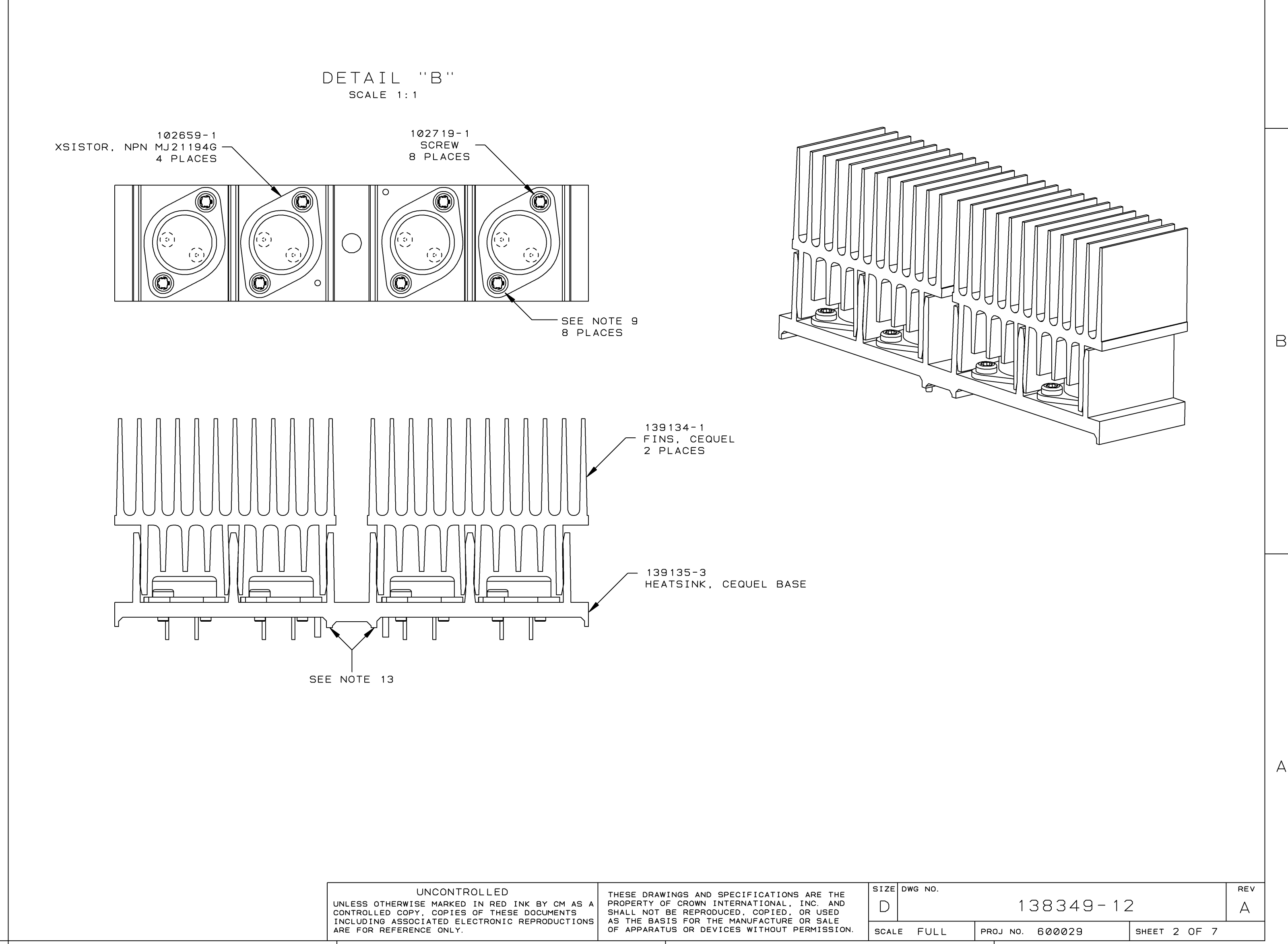
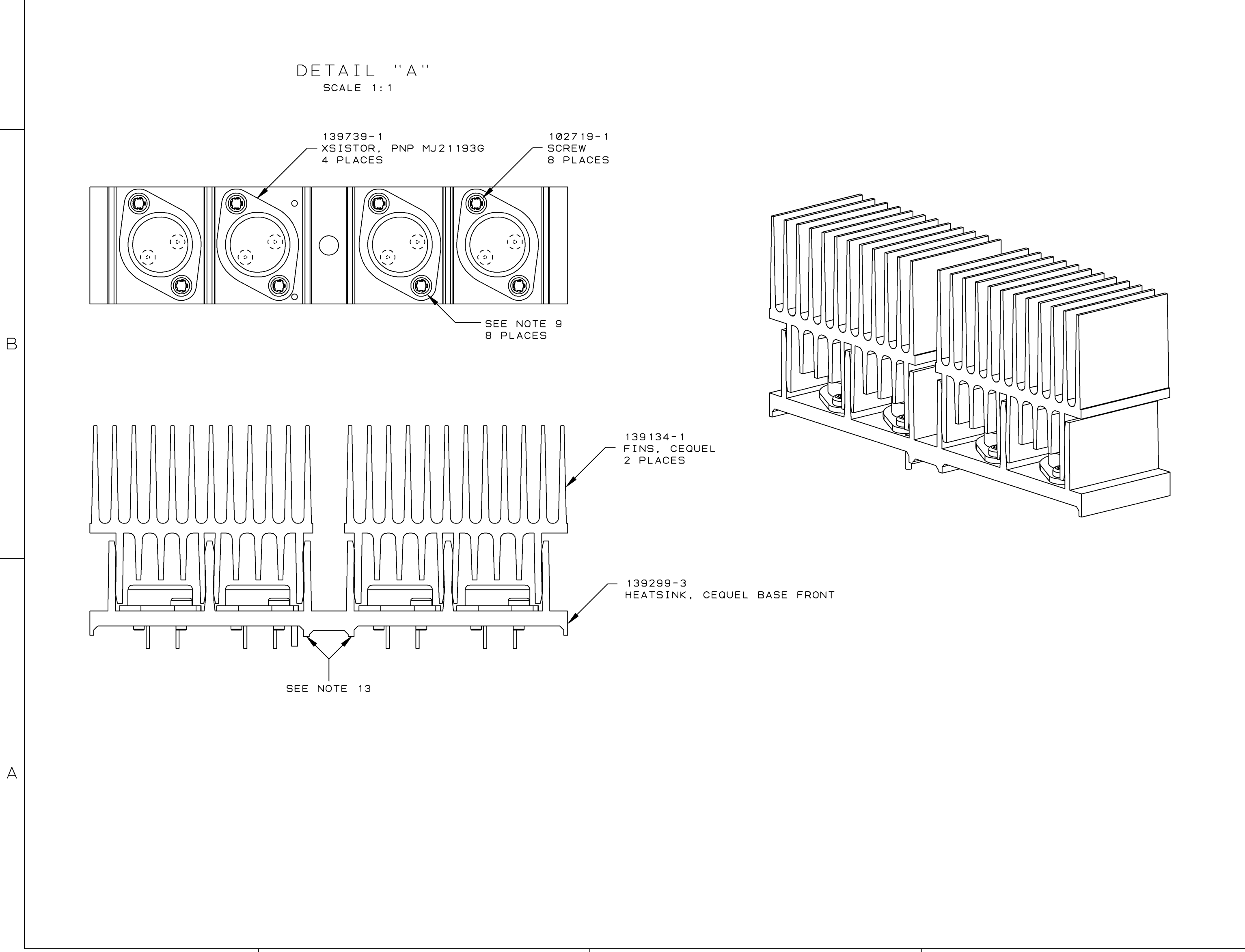
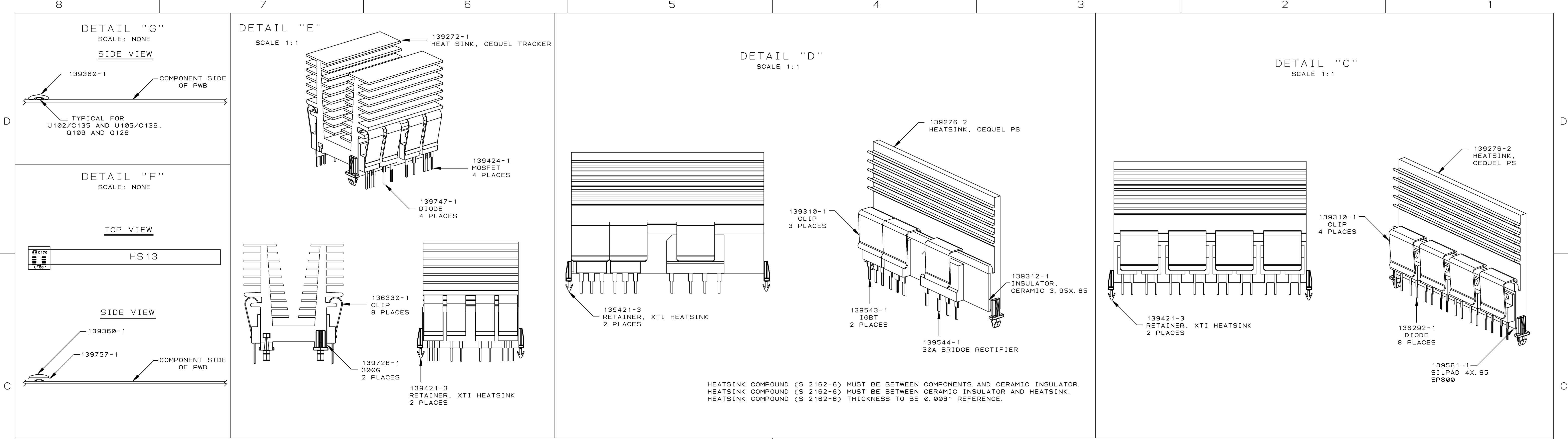
DETAIL "A"

DISTRIBUTION	DWN	KLW	04-18-07	CROWN H A Harman International Company 1718 WEST MISHAWAKA RD. PHONE 574-284-8000 ELKHART, IN, 46517 WWW.CROWNALD.CO	
FILENAME	CM	KZ	4/27/07		
TITLE	PE	BLC	04-18-07		
138349-12_A_01.PCB					
				TITLE	PWA, XTI4000
				SIZE	DWG NO.
				D	138349-12
				SCALE	FULL
				PROJ. NO.	600029
				SHEET	1 OF 7

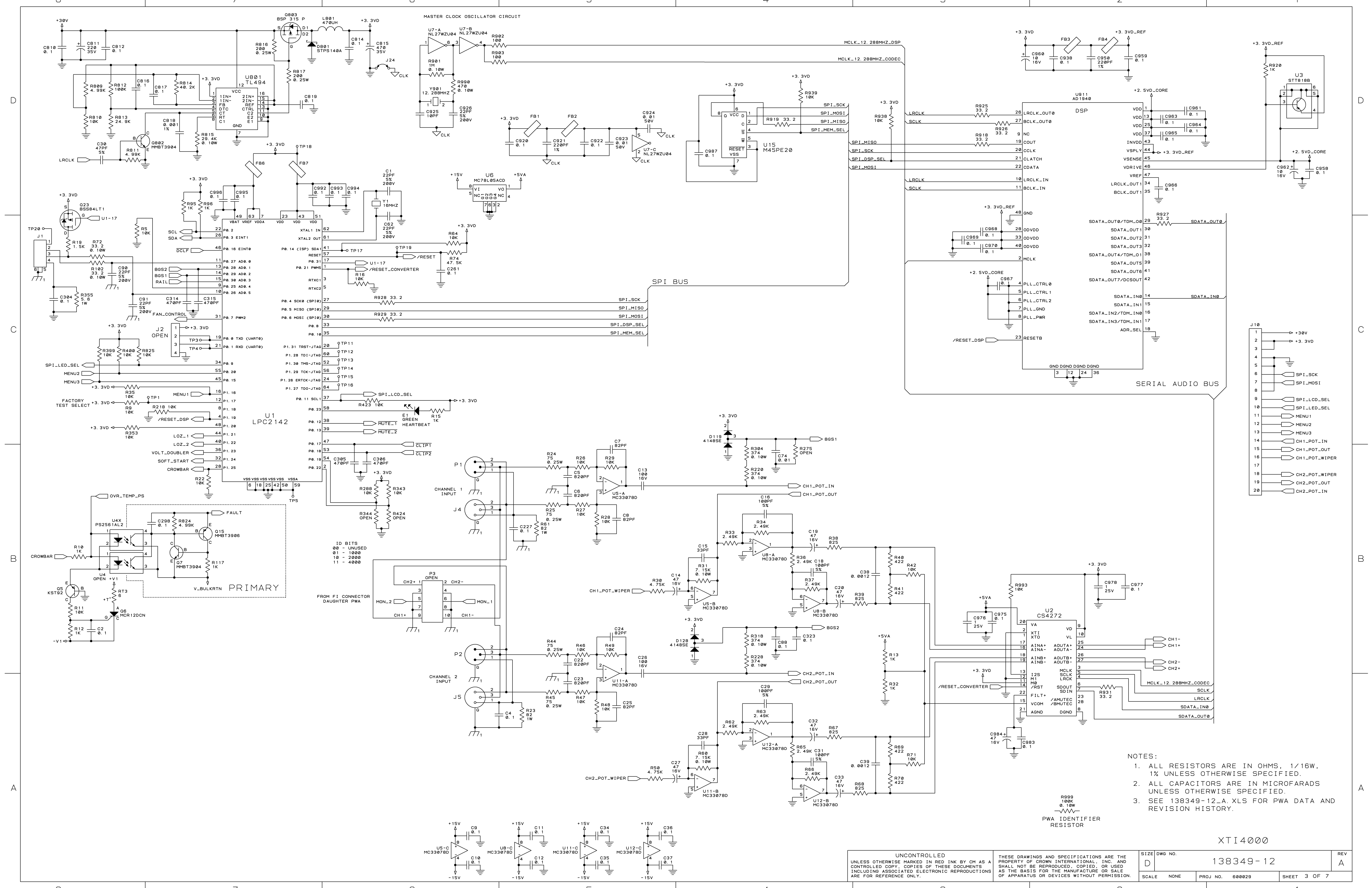
UNCONTROLLED
UNLESS OTHERWISE MARKED IN RED INK BY CM AS A
CONTROLLED COPY. COPIES OF THESE DOCUMENTS
INCLUDING ASSOCIATED ELECTRONIC REPRODUCTIONS
ARE FOR REFERENCE ONLY.
THESE DRAWINGS AND SPECIFICATIONS ARE THE
PROPERTY OF CROWN INTERNATIONAL, INC. AND
SHALL NOT BE REPRODUCED, COPIED, OR USED
AS THE BASIS FOR THE MANUFACTURE OR SALE
OF APPARATUS OR DEVICES WITHOUT PERMISSION.

TOLERANCE UNLESS
OTHERWISE SPECIFIED
.00 = ±.02"
.000 = ±.010"
DRILLS = ±.003"

DO NOT SCALE DRAWING



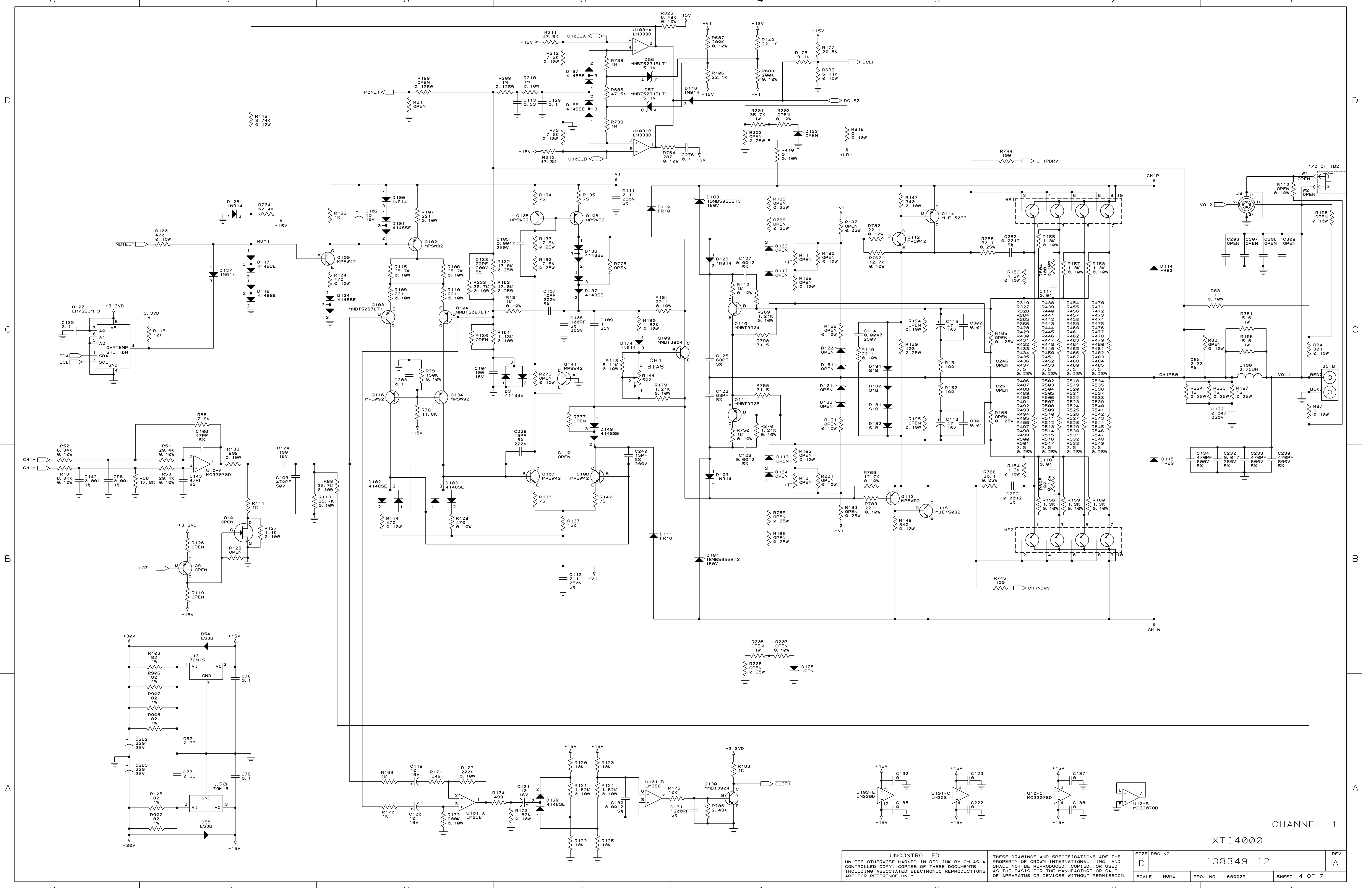
UNCONTROLLED UNLESS OTHERWISE MARKED IN RED INK BY CM AS A CONTROLLED COPY, COPIES OF THESE DOCUMENTS INCLUDING ASSOCIATED ELECTRONIC REPRODUCTIONS ARE FOR REFERENCE ONLY.		THESE DRAWINGS AND SPECIFICATIONS ARE THE PROPERTY OF CROWN INTERNATIONAL, INC. AND SHALL NOT BE REPRODUCED, COPIED, OR USED AS THE BASIS FOR THE MANUFACTURE OR SALE OF APPARATUS OR DEVICES WITHOUT PERMISSION.		SIZE D	DWG NO. 138349-12	REV A
SCALE	FULL	PROJ NO.	600029	SHEET 2 OF 7		



- NOTES:
1. ALL RESISTORS ARE IN OHMS, 1/16W, 1% UNLESS OTHERWISE SPECIFIED.
 2. ALL CAPACITORS ARE IN MICROFARADS UNLESS OTHERWISE SPECIFIED.
 3. SEE 138349-12.A.XLS FOR PWA DATA AND REVISION HISTORY.

XTI4000

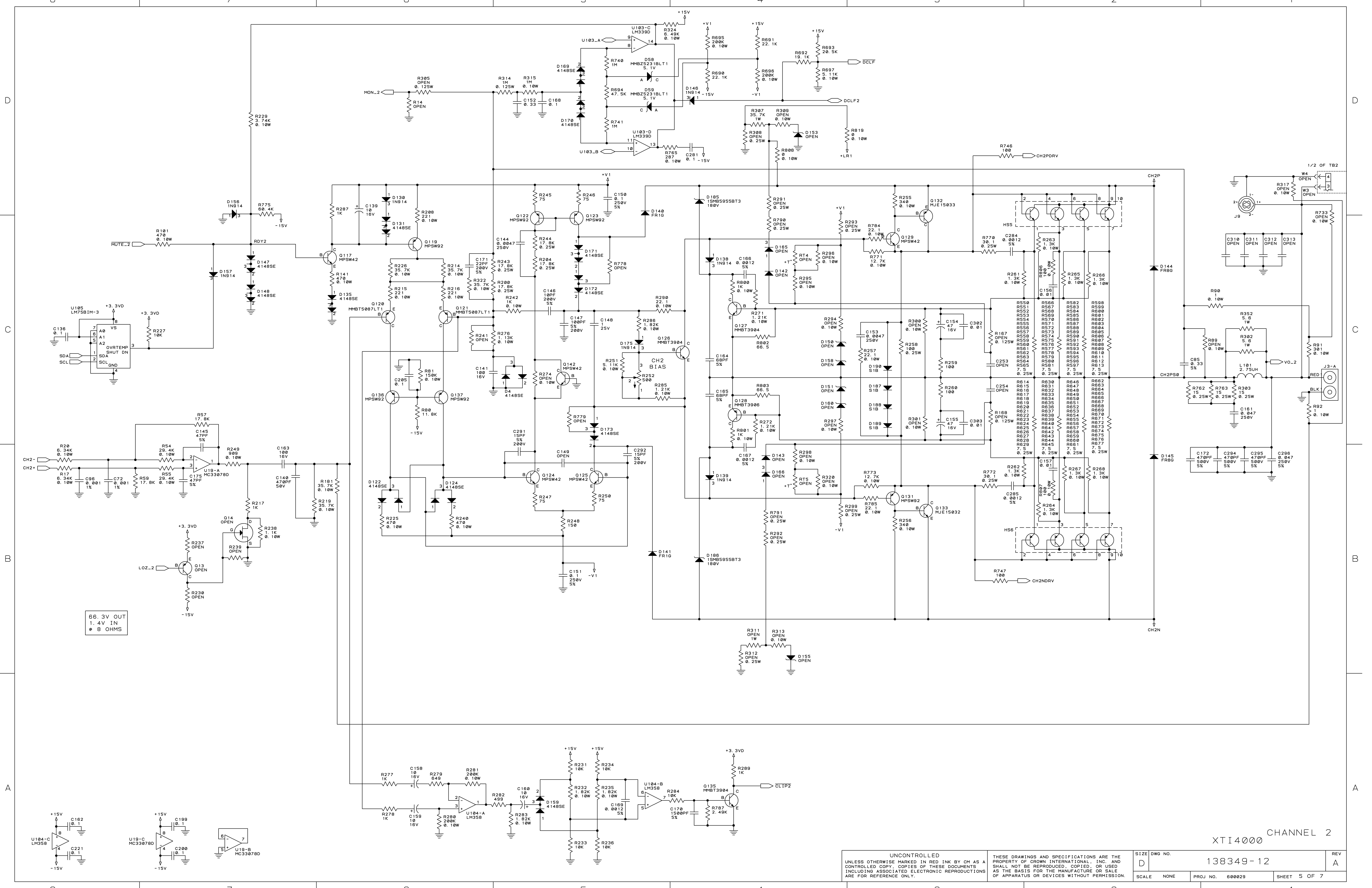
UNCONTROLLED UNLESS OTHERWISE MARKED IN RED INK BY CM AS A CONTROLLED COPY. COPIES OF THESE DOCUMENTS INCLUDING ASSOCIATED ELECTRONIC REPRODUCTIONS ARE FOR REFERENCE ONLY.	THESE DRAWINGS AND SPECIFICATIONS ARE THE PROPERTY OF CROWN INTERNATIONAL, INC. AND SHALL NOT BE REPRODUCED, COPIED, OR USED AS THE BASIS FOR THE MANUFACTURE OR SALE OF APPARATUS OR DEVICES WITHOUT PERMISSION.	SIZE DWG NO. D 138349-12	REV A
SCALE NONE	PROJ NO. 600029	SHEET 3 OF 7	



CHANNEL 1

XTI4000

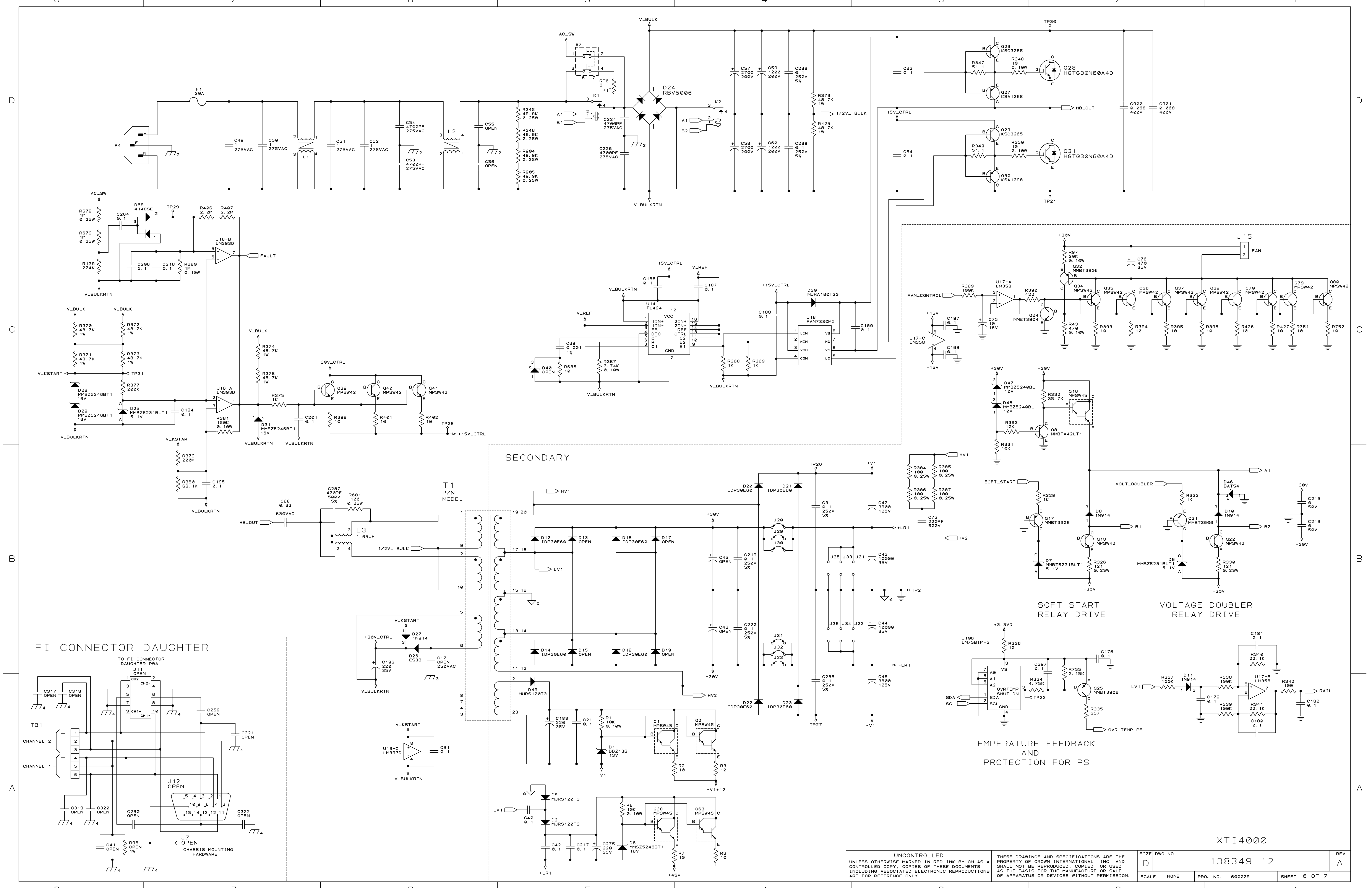
UNCONTROLLED UNLESS OTHERWISE MARKED IN RED INK BY CM AS A CONTROLLED COPY, COPIES OF THESE DOCUMENTS INCLUDING ASSOCIATED ELECTRONIC REPRODUCTIONS ARE FOR REFERENCE ONLY.		THESE DRAWINGS AND SPECIFICATIONS ARE THE PROPERTY OF CROWN INTERNATIONAL, INC. AND SHALL NOT BE REPRODUCED, COPIED, OR USED AS THE BASIS FOR THE MANUFACTURE OR SALE OF APPARATUS OR DEVICES WITHOUT PERMISSION.		SIZE D	DWG NO. 183849-12	REV A
SCALE	NONE	PROJ. NO.	600029	SHEET	4 OF 7	



66.3V OUT
1.4V IN
8 OHMS

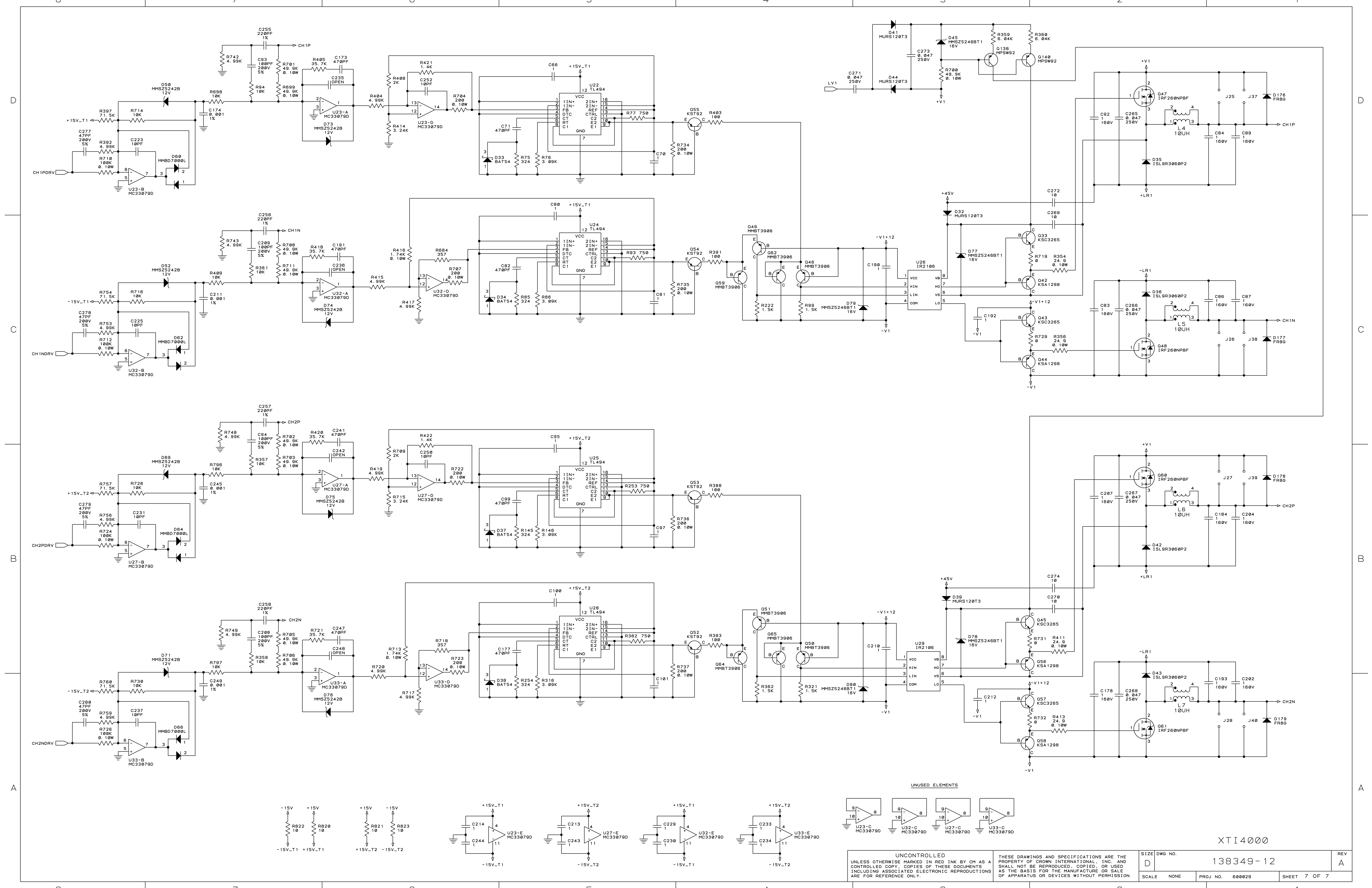
CHANNEL 2
XTI4000

UNCONTROLLED		THESE DRAWINGS AND SPECIFICATIONS ARE THE PROPERTY OF CROWN INTERNATIONAL, INC. AND SHALL NOT BE REPRODUCED, COPIED, OR USED AS THE BASIS FOR THE MANUFACTURE OR SALE OF APPARATUS OR DEVICES WITHOUT PERMISSION.	
SIZE	DWG NO.	REV	
D	138349-12	A	
SCALE	NONE	PROJ. NO.	600029
		SHEET	5 OF 7

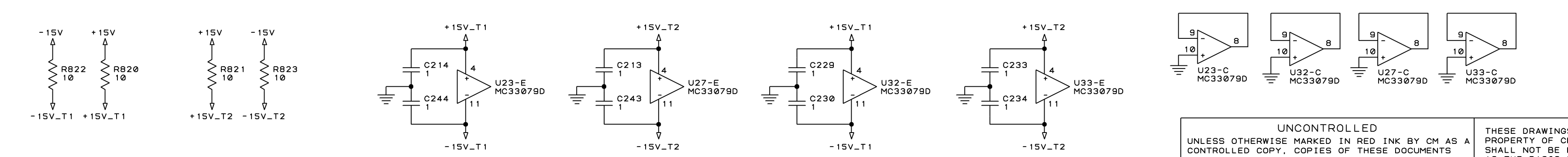


XTI4000

UNCONTROLLED UNLESS OTHERWISE MARKED IN RED INK BY CM AS A CONTROLLED COPY. COPIES OF THESE DOCUMENTS INCLUDING ASSOCIATED ELECTRONIC REPRODUCTIONS ARE FOR REFERENCE ONLY.		THESE DRAWINGS AND SPECIFICATIONS ARE THE PROPERTY OF CROWN INTERNATIONAL, INC. AND SHALL NOT BE REPRODUCED, COPIED, OR USED AS THE BASIS FOR THE MANUFACTURE OR SALE OF APPARATUS OR DEVICES WITHOUT PERMISSION.		SIZE D	DWG NO. 138349-12	REV A
SCALE NONE	PROJ NO. 600029	SHEET 6 OF 7				



UNUSED ELEMENTS



XTI4000

UNCONTROLLED UNLESS OTHERWISE MARKED IN RED INK BY CM AS A CONTROLLED COPY. COPIES OF THESE DOCUMENTS INCLUDING ASSOCIATED ELECTRONIC REPRODUCTIONS ARE FOR REFERENCE ONLY.		THESE DRAWINGS AND SPECIFICATIONS ARE THE PROPERTY OF CROWN INTERNATIONAL, INC. AND SHALL NOT BE REPRODUCED, COPIED, OR USED AS THE BASIS FOR THE MANUFACTURE OR SALE OF APPARATUS OR DEVICES WITHOUT PERMISSION.		SIZE D	DWG. NO. 138349-12	REV A
SCALE	NONE	PROJ. NO.	600029	SHEET	7 OF 7	